

PRODUCT INFORMATION

A small square underground pit designed for cable distribution. Designed for pedestrian and cycle-traffic areas such as road berms, alongside footpaths, on the side of a driveway. The pit has provision for four cable ducts, one on each side. Cable entry holes can be cut in the base to suit the size of the ducting.

FEATURES

- Lid Screws: The lid is secured by four isolated M8 x 60 hex stainless steel screws, ensuring they are insulated from live-wire exposure for maximum public safety
- The pit has provision for four cable ducts, one on each side
- Cable entry holes can be cut to suit size of ducting
- Made from robust UV stabilised LDPE proven to withstand harsh elements and perform for decades
- Fully recyclable with the GYRO-Cycled program
- The lid is flush with the ground

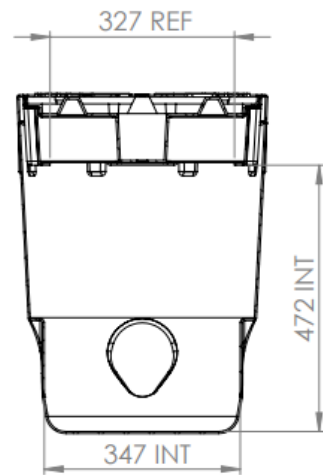
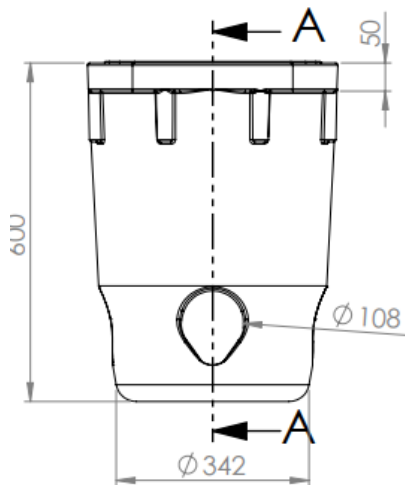
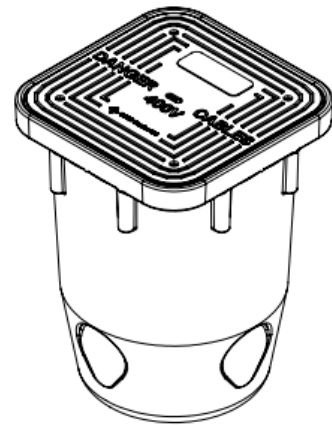
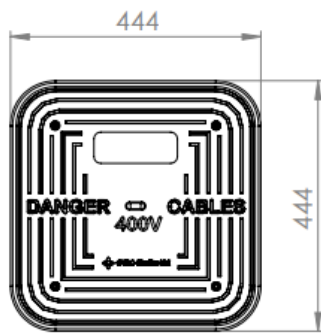


PRODUCT SKU'S

SKU	PRODUCT	DESCRIPTION
205010	UP20 ASSEMBLY (E4000) - BLACK	Assembly - Black
205011	UP20 ASSEMBLY (E4000) - KHAKI	Assembly - Khaki Lid
205013	UP20 LID ONLY (E4000) - BLACK	Lid only Black
205014	UP20 LID ONLY (E4000) - KHAKI	Lid only Khaki
205012	UP20 (E4000) Base only	Base only

PRODUCT INFORMATION

2-DIMENSIONAL DRAWINGS



SECTION A-A